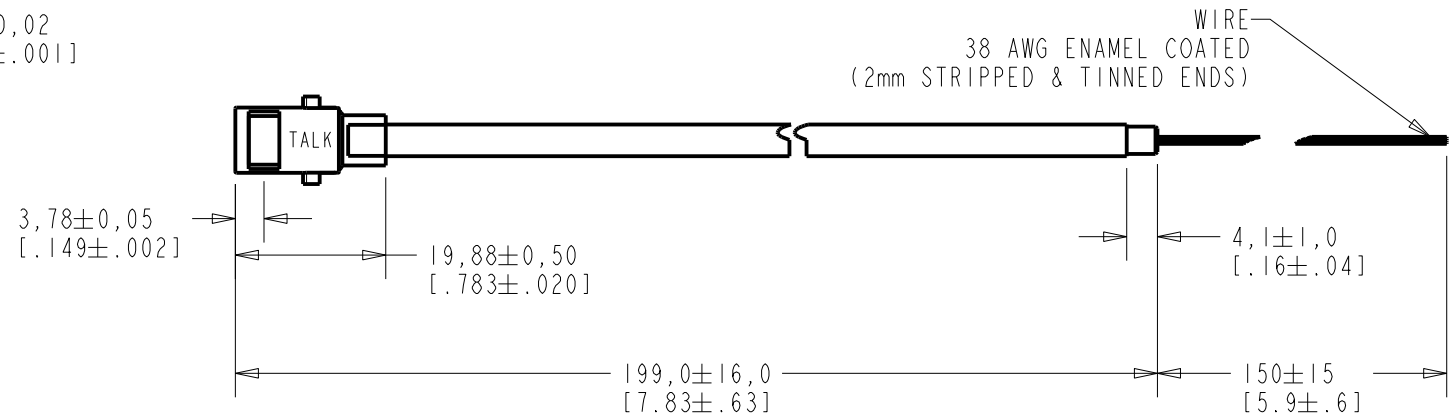
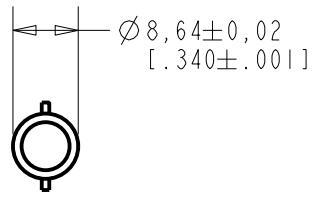
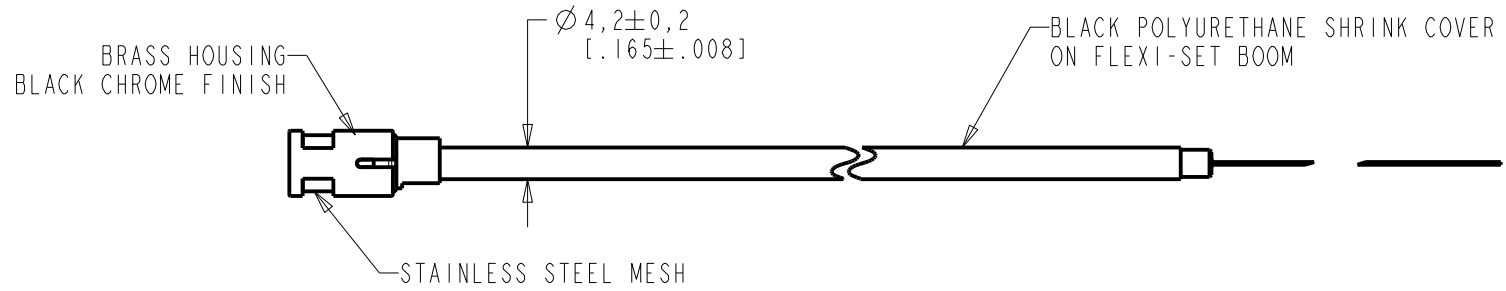


FB-DO-32221-000
SHT 1.1



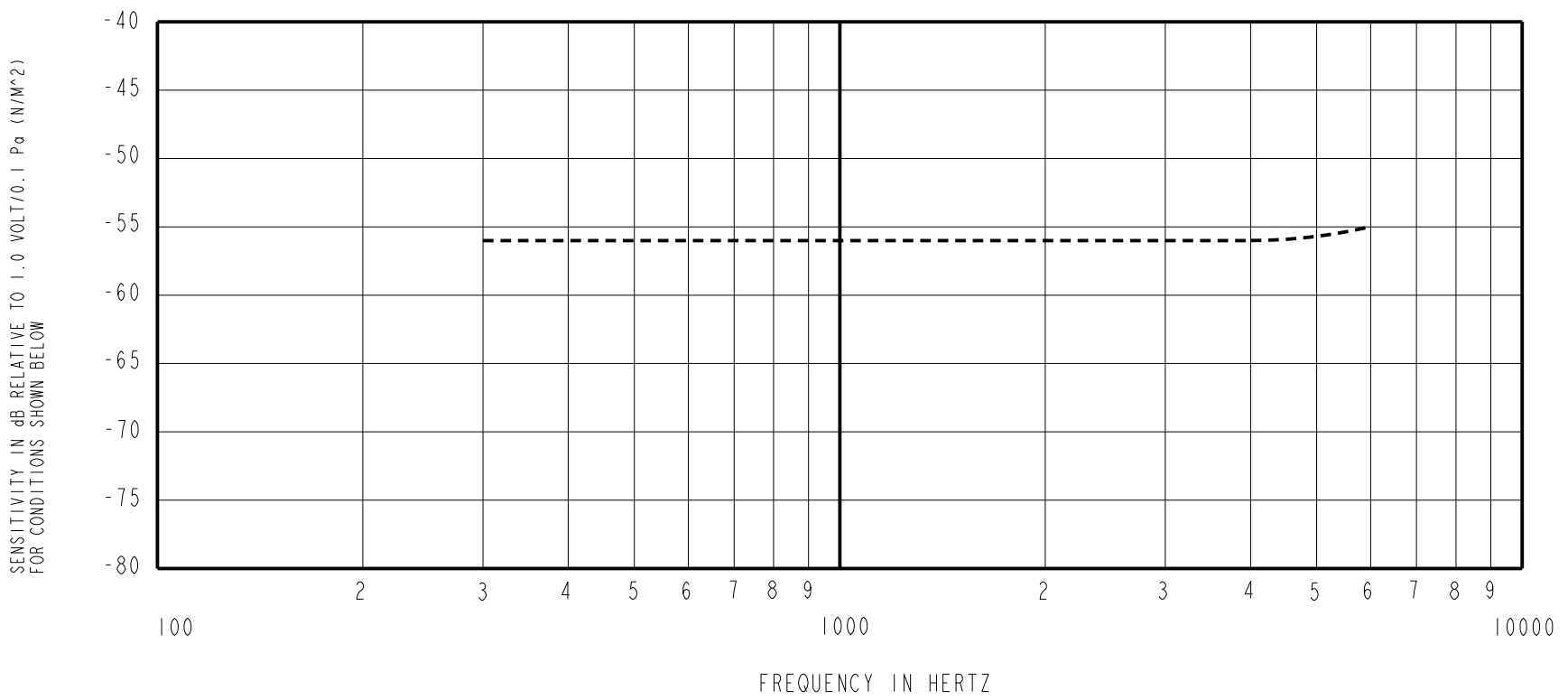
WIRE COLOR				WEIGHT GRAMS
+ve	OUTPUT	-ve	SCREEN	
RED	NATURAL	BLUE	GREEN	11.7

DIMENSIONS IN MILLIMETERS [INCHES]

KNOWLES ELECTRONICS
ITASCA, ILLINOIS U.S.A.

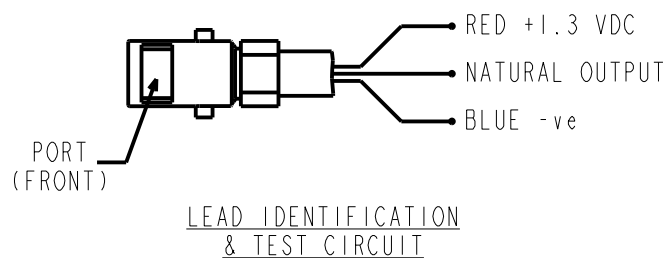
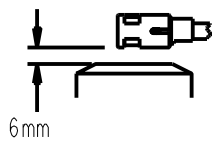
Revision	C.O. #	Implementation Date	RELEASE LEVEL	REVISION
A	C40101421	4-10-14	Active	A

SCALE: 1:1		DR. BY: LW	DATE: 4-10-14
DO NOT SCALE DRAWING		CK. BY: GJP	DATE: 4-14-14
TITLE: BOOM MICROPHONE FB-DO-32221-000		APP. BY: GJP	DATE: 4-14-14
OUTLINE DRAWING		SHT 1.1	



NOTES:

- MICROPHONE TO BE FUNCTIONAL WITH 10 VDC SUPPLY.
- SENSITIVITY VALUES INDICATED ON THIS SPECIFICATION ARE VALID AT 50% HUMIDITY.
- | SENSITIVITY | | | |
|-------------|-------|-------|-------|
| FREQUENCY | MIN | NOM | MAX |
| 300 | -60.0 | -56.0 | -52.0 |
| 1000 | -59.0 | -56.0 | -53.0 |
| 4000 | -60.0 | -56.0 | -52.0 |
- TEST CONDITIONS:
HEAD OF BOOM EXPOSED TO 94 dBSPL SWEPT SOUND FIELD
AT 6mm FROM VOICE APERTURE.
ARTIFICIAL VOICE: B & K 4227 MOUTH SIMULATOR.
- FOR MICROPHONE CAPSULE SPEC. SEE WP-23500-000 SHEET 2.1



Revision	C.O. #	Implementation Date	RELEASE LEVEL	REVISION
A	C40101421	4-10-14	Active	A

WHEN TEST LIMITS ARE USED TO ESTABLISH INCOMING INSPECTION ACCEPTANCE/REJECTION CRITERIA, CORRELATION OF TEST EQUIPMENT WITH KNOWLES IS ALSO REQUIRED FOR ELIMINATION OF EQUIPMENT AND TEST METHOD VARIATION		DR. BY	DATE
TITLE: BOOM MICROPHONE FB-DO-32221-000		LW	4-10-14
		CK. BY	DATE
PERFORMANCE SPECIFICATION		GJP	4-14-14
		APP. BY	DATE
		GJP	4-14-14

KNOWLES ELECTRONICS
ITASCA, ILLINOIS U.S.A.